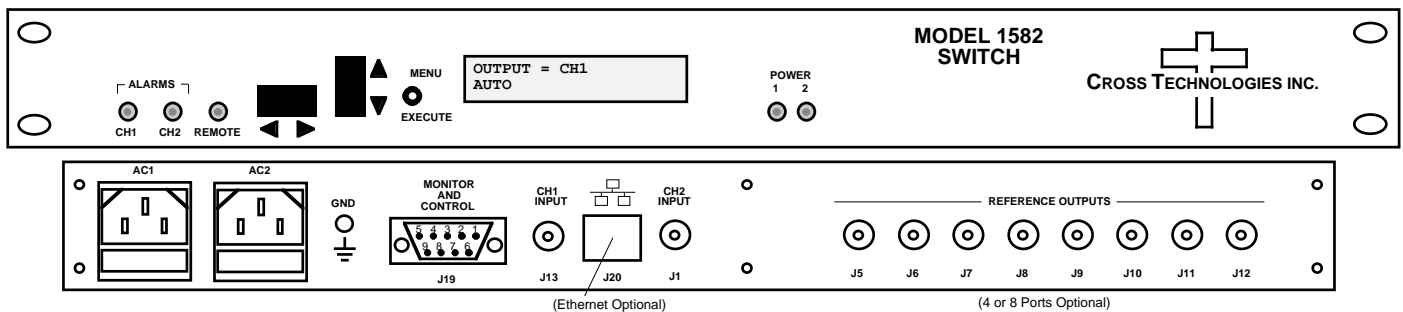


## 1582-10M 1:1 Switch, 10 MHz

The 1582-10M 1:1 Switch, 10 MHz provides Auto, Manual or Remote relay switching between CH1 and CH2, 10 MHz signals. Alarm conditions on CH1 and CH2 are a level drop below -6 dBm of the 10 MHz signal. The 1582-10M switches from CH1 to CH2 only if CH1 alarms and CH2 is good. The unit switches back when CH1 is no longer in alarm or both CH1 and CH2 are bad.

When power is lost and when power is applied (as alarms at power up dictate), CH1 is selected. Front panel LEDs indicate CH1 and CH2 alarms, Remote mode (yellow), and redundant power supplies on (green). Multi-function push button switches select Auto, Local, or Remote operation and the signal path in the Manual mode. Remote operation via the RS232/RS485 M&C interface allows selection of CH1 or CH2 and indicates switch position and alarm status. A contact closure to ground indicates if either or both CH1, CH2 are in alarm. An LCD display shows Auto, Local or Remote operation and the signal path. Connectors are BNC, female for the 10 MHz signals and DB9 for M&C and for the alarm contact closure output. The 1582-10M is a 1RU chassis with redundant power supplies fed by separate fused 100-240 ±10% VAC AC input connectors.



**1582-10M FRONT AND REAR PANEL**

### 1582-10M Technical Specifications

#### Switch Characteristics

Impedance	75 ohms
Type	Non-latching Relay
Isolation	>50 dB DC to 10 MHz
Switchlevel/time	≤-6±1dB / ≤100 milliseconds
Insertion Loss	≤1 dB
Configuration	SPDT

#### Alarm and Control, M&C

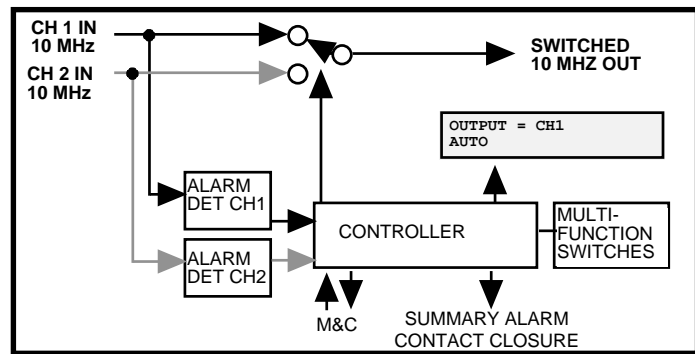
Alarm output signal	Form C relay: 30VDC, 0.5A max
M & C Interface	RS232C or RS485, selectable, (Ethernet Optional)
M & C Signal	9600 baud rate

#### Controls, Indicators

Mode Select	Local/Remote, Auto/Manual - push-button switches, contact closures, or remote selection
Power On Status	Green LEDs, (PS1, PS2),
Remote Select Status	Yellow LED, M&C serial
Manual Select Status	M&C serial
Alarm Status	Red LEDs, External Form C contact closure, M&C serial

#### Connectors, Other

Ext. Alarm, M&C Conn.	DB9 (female)
10 MHz In/Out	BNC, female, 75 ohm
Size	1 RU, 19 inch standard chassis 1.75" high X 16.0" deep
Power	Redundant 100 - 240±10% VAC, 47 - 63 Hz, 20 W max. power supplies



**1582-10M BLOCK DIAGRAM**

#### Optional

- 4 4 - 75Ω outputs
- 8 8 - 75Ω outputs
- W8 Ethernet M&C

\*10°C to 40°C; Specifications subject to change without notice