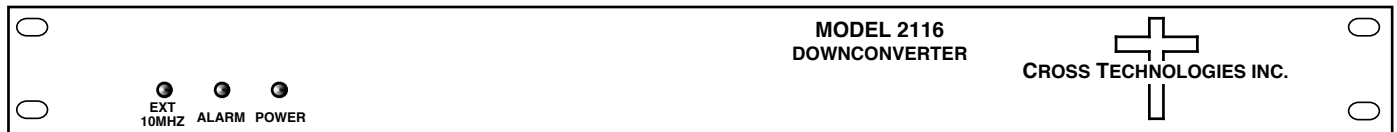


Instruction Manual

Model 2116-172192 Block Downconverter

February 2023, Rev. 0



Data, drawings, and other material contained herein are proprietary to Cross Technologies, Inc., but may be reproduced or duplicated without the prior permission of Cross Technologies, Inc. for purposes of operating the equipment. Printed in USA.

When ordering parts from Cross Technologies, Inc., be sure to include the equipment model number, equipment serial number, and a description of the part.



6170 Shiloh Road
Alpharetta, Georgia 30005

(770) 886-8005
FAX (770) 886-7964
Toll Free 888-900-5588

WEB www.crosstechnologies.com
E-MAIL info@crosstechnologies.com

INSTRUCTION MANUAL

MODEL 2116-172192 Downconverter

<u>TABLE OF CONTENTS</u>	<u>PAGE</u>
Warranty	2
1.0 General	3
1.1 Equipment Description	3
1.2 Technical Characteristics	4
2.0 Installation	6
2.1 Mechanical	6
2.2 Rear Inputs and Outputs	7
2.3 Front Panel Indicators	7
2.4 Operation	8
3.0 Environmental Use Information	9

WARRANTY - The following warranty applies to all Cross Technologies, Inc. products.

All Cross Technologies, Inc. products are warranted against defective materials and workmanship for a period of one year after shipment to customer. Cross Technologies, Inc.'s obligation under this warranty is limited to repairing or, at Cross Technologies, Inc.'s option, replacing parts, subassemblies, or entire assemblies. Cross Technologies, Inc. shall not be liable for any special, indirect, or consequential damages. This warranty does not cover parts or equipment which have been subject to misuse, negligence, or accident by the customer during use. All shipping costs for warranty repairs will be prepaid by the customer. There are not other warranties, express or implied, except as stated herein.



6170 Shiloh Road
Alpharetta, Georgia 30005

(770) 886-8005
FAX (770) 886-7964
Toll Free 888-900-5588

WEB www.crosstechnologies.com
E-MAIL info@crosstechnologies.com

MODEL 2116-172192 Downconverter

1.0 General

1.1 Equipment Description - The 2116-172192 Downconverter converts **17.2 - 19.2 GHz** to **0.40 - 2.40 GHz** with a local oscillator at **16.80 GHz**. Front panel LEDs indicate DC Power, External 10 MHz, and PLL Alarm. The gain is **+35 dB**. Connectors are **SuperSMA** female for the RF input and BNC female for the RF output (designated L-Band) and external reference input and reference output. A three-way switch controls which 10 MHz reference is being used. In the INT position, the internal reference is used, in the EXT position, the external reference is used, and in the AUTO position, the internal reference is used unless a +3 dBm ± 3 dB, 10MHz reference signal is connected to the external reference input. It is powered by a 100-240 ± 10% VAC power supply, and in a 1 3/4" X 19" X 14" rack mount chassis.

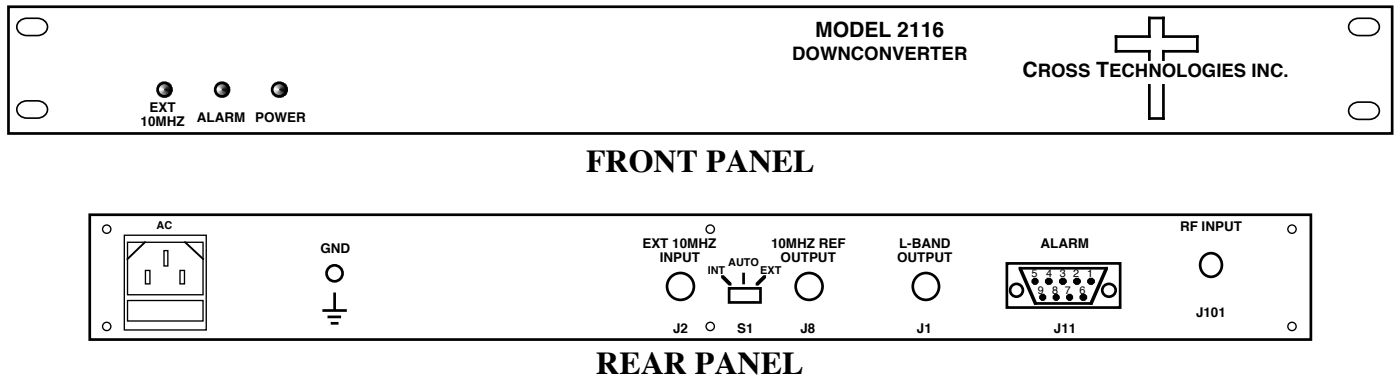


FIGURE 1.1 Model 2116-172192 Front and Rear Panels

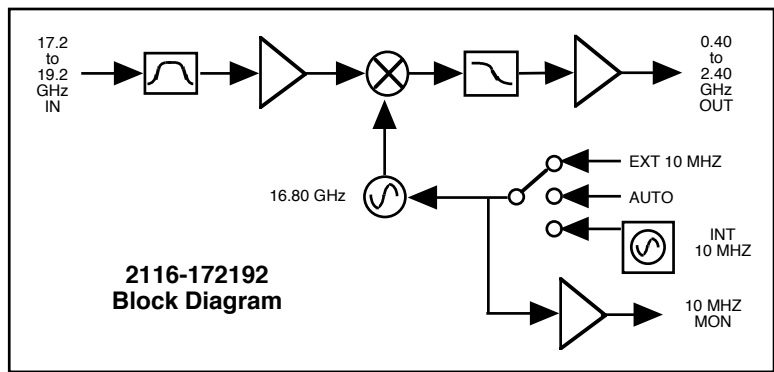


FIGURE 1.2 Model 2116-172192 Downconverter Block Diagram

1.2 Technical Characteristics

TABLE 1.0 2116-172192 Downconverter Specifications*

Input Characteristics (RF)

Impedance/Return Loss	50 Ω /14 dB (See TABLE 2.2 for connector options)
Frequency	17.2 to 19.2 GHz
Noise Figure, max.	12 dB, max. gain
Input Level	-55 to -35 dBm
Input 1dB Compression	-25 dBm

Output Characteristics (L-Band)

Impedance/Return Loss	50 Ω /14 dB
Frequency	0.40 to 2.40 GHz
Output Level Range	-20 to 0 dBm
Output 1 dB compression	+10 dBm at Fc, Gmax

Channel Characteristics

Gain	+35 dB \pm 2 dB at Fc
Image Rejection	>50 dB, min.
Spurious, In Band	SIGNAL RELATED <-50 dBc in band, 0 dBm out; SIGNAL INDEPENDENT, <-55 dBm, 0.40-2.40 GHz Out
Spurious, Out of Band	<-50 dBm (0.1-0.40 GHz and 2.40-3.3 GHz Out), Gmax
Intermodulation	<-50 dBc for two carriers at Fc \pm 2 MHz, each at -15 dBm out, Gmax
Frequency Response	\pm 2.5 dB, 0.40 to 2.40 GHz out; \pm 0.8 dB, 40 MHz BW
Frequency Sense	Non-Inverting

LO Characteristics

LO Frequency	16.80 GHz
Frequency Accuracy	\pm 0.01 ppm max over temp internal reference,
10 MHz Level	3 dBm, \pm 3 dB, 75 ohms, External In or 10MHz Out

Controls, Indicators

INT/AUTO/EXT Switch	Selects internal or external 10 MHz (rear panel DP3T switch)
Power	Green LED
PLL Alarm	Red LED, External contact closure
Ext 10 MHz	Yellow LED, Indicates Ext 10 MHz reference selected

Other

RF Connector	Super SMA (female), 50 Ω
L-Band Connector	BNC (female), 50 Ω
10 MHz Connectors	BNC (female), 50 Ω /75 Ω
Alarm Connector	DB9 - NO or NC contact closure on Alarm
Size	19 inch standard chassis, 1.7" high X 14.0" deep
Power	100 - 240 \pm 10% VAC, 47 - 63 Hz, 45 watts max.

Options

Connector Options	See TABLE 2.2
-------------------	---------------

*+10°C to +40°C; Specifications subject to change without notice.

2.0 Installation

2.1 Mechanical - The 2116-172192 consists of one RF PCB housed in a 1 RU (1 3/4 inch high) by 14 inch deep chassis. A switching, ± 12 , +24, +5 VDC power supply provides power for the assemblies. The 2116-172192 can be secured to a rack using the 4 holes on the front panel. Figure 2.0 shows how the 2116-172192 is assembled.

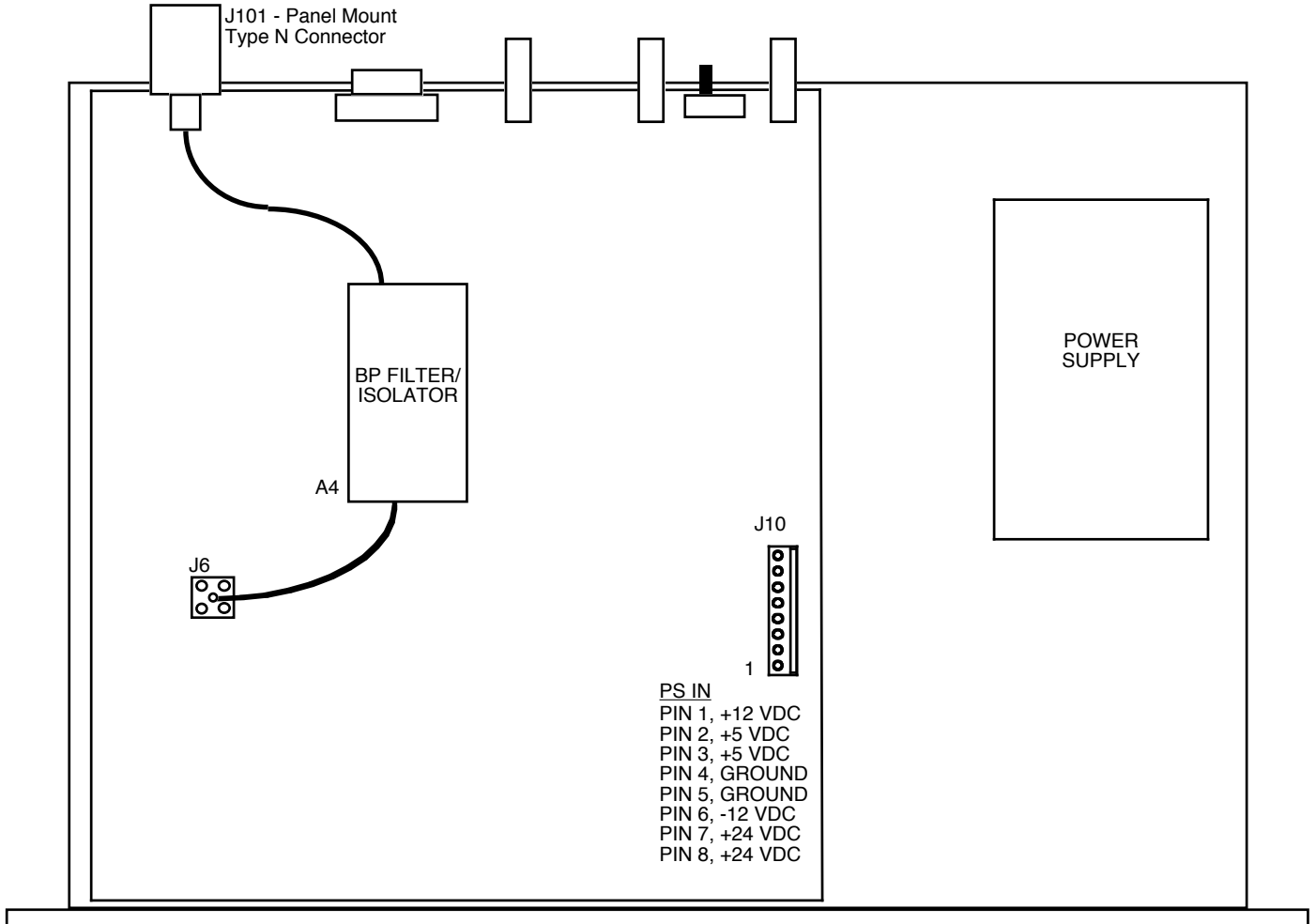


FIGURE 2.0 2116-172192 Mechanical Assembly

2.2 Rear Panel Input/Output Signals - Figure 2.1 shows the input and output connectors on the rear panel.

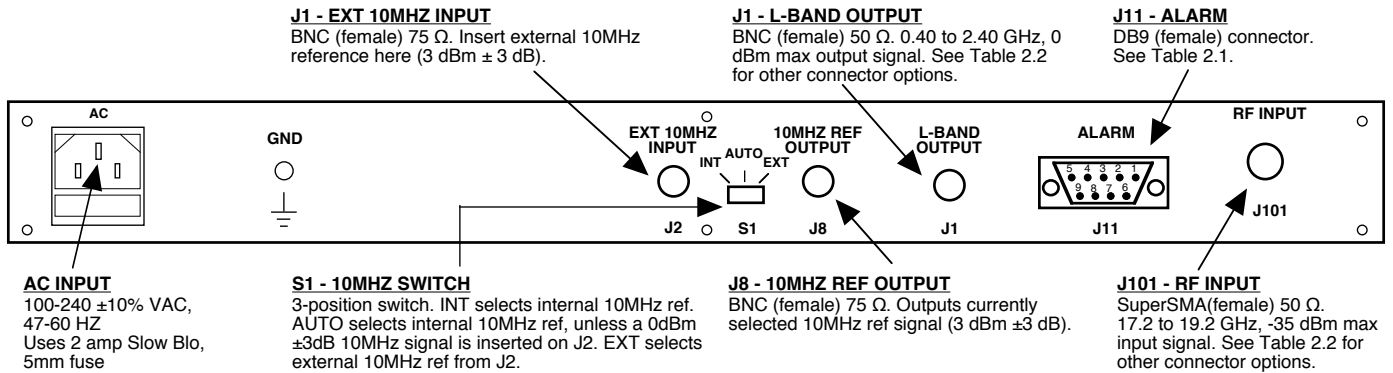


FIGURE 2.1 2116-172192 Rear Panel I/O's

TABLE 2.1 J11 Pinouts (DB9)	
Pin	Function
1	Not Used
2	Not Used
3	Not Used
4	Not Used
5	GND
6	Alarm Relay: Common
7	Alarm Relay: Normally Open
8	Not Used
9	Alarm Relay: Normally Closed

TABLE 2.2 Connector Options	
L-Band	RF
BNC, 50Ω (STD)	SuperSMA, 50Ω (STD)
BNC, 75Ω	
Type F, 75Ω	
Type N, 50Ω	

2.3 Front Panel Indicators - The following are the front panel indicators.

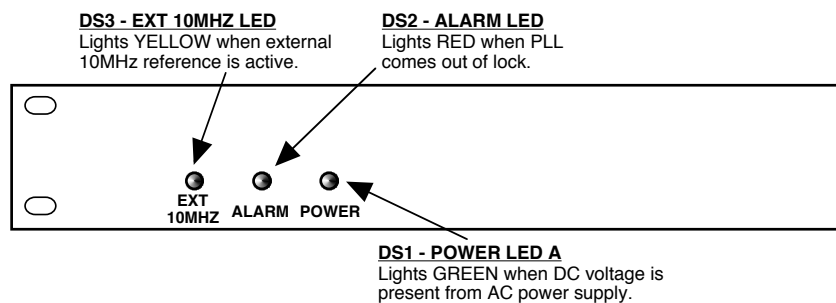


FIGURE 2.2 2116-172192 Front Panel Controls and Indicators

2.4 Installation / Operation

2.4.1 Installing and Operating the 2116-172192 Downconverter

- 1.) Connect a -55 dBm to -35 dBm signal to RF INPUT, J101 (Figure 2.1).
- 2.) Connect the L-BAND OUTPUT, J1, to the external equipment.
- 3.) Connect 100-240 \pm 10% VAC, 47 - 63 Hz to AC connector on the back panel.
- 4.) Be sure DS1 (green, DC Power) is on and DS2 (red, Alarm) is off (Figure 2.2).
- 5.) Select either INT (for internal 10MHz ref), AUTO (for internal 10MHz ref UNLESS a external 10MHz, 0 dBm signal is connected to J2), or EXT (for external 10MHz, 0 dBm ref that is inserted at J2) on rear panel switch S1 (Figure 2.1).
- 6.) If EXT is selected or AUTO is selected and there is a 10MHz, 0 dBm signal at J2, check that DS3 (yellow, Ext 10MHZ) is on (Figure 2.2).
- 7.) Check that a 10MHz, 0 dBm \pm 3 dB signal is present at the 10MHZ REF OUTPUT (J8) (Figure 2.1).
- 8.) **AC Fuse** - The fuse is a 5 mm X 20 mm, 2 amp slow blow (Type T) and is inserted in the far slot in the drawer below the AC input as shown in Figure 2.3. There is a spare fuse in the near slot.
If a fuse continues to open, the power supply is most likely defective.

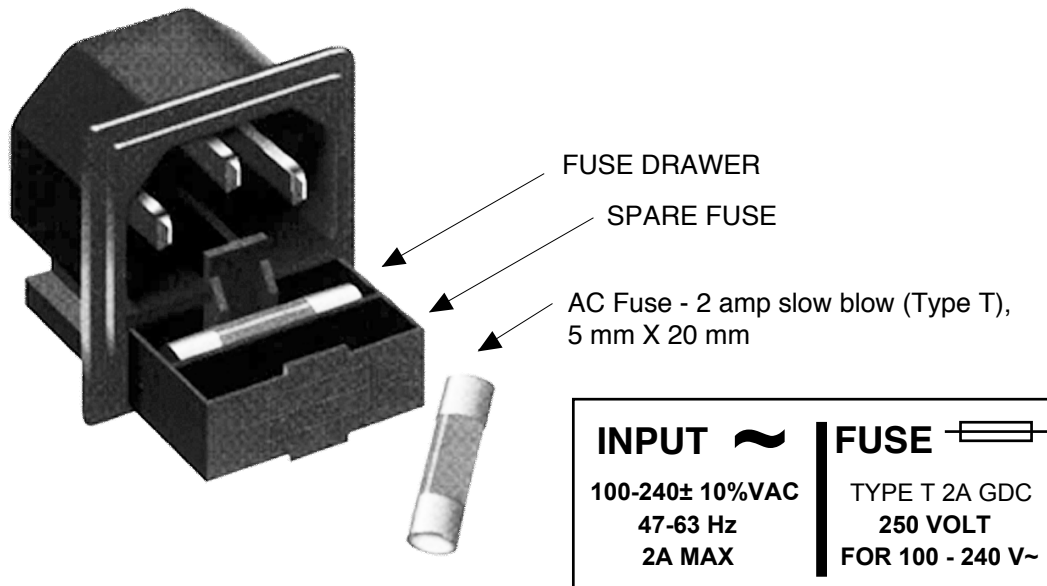


FIGURE 2.3 Fuse Location and Spare Fuse

3.0 Environmental Use Information

- A. Rack-Mounting** - To mount this equipment in a rack, please refer to the installation instructions located in the user manual furnished by the manufacturer of your equipment rack.
- B. Mechanical Loading** - Mounting of equipment in a rack should be such that a hazardous condition does not exist due to uneven weight distribution.
- C. Elevated Operating Ambient Temperature** - If installed in a closed or multi-unit rack assembly, the operating ambient temperature of the rack may be greater than room ambient temperature. Therefore, consideration should be given to Tmra.
- D. Reduced Air Flow** - Installation of the equipment in a rack should be such that the amount of air flow required for safe operation of the equipment is not compromised. Additional space between unit may be required.
- E. Circuit Overloading** - Consideration should be given to the connection of the equipment to the supply circuit and the effect that overloading of circuits could have on over current protection and supply wiring. Appropriate consideration of equipment name plate rating should be used, when addressing this concern.
- F. Reliable Earthing** - Reliable earthing of rack-mounted equipment should be maintained. Particular attention should be given to supply connections other than direct connection to the Branch (use of power strips).
- G. Top Cover** - There are no serviceable parts inside the product so, the Top Cover should not be removed. If the Top Cover is removed the ground strap and associated screw **MUST BE REINSTALLED** prior to Top Cover screw replacement. **FAILURE TO DO** this may cause **INGRESS** and/or **EGRESS** emission problems.



6170 Shiloh Road
Alpharetta, Georgia 30005

(770) 886-8005
FAX (770) 886-7964
Toll Free 888-900-5588

WEB www.crosstechnologies.com
E-MAIL info@crosstechnologies.com

Printed in USA