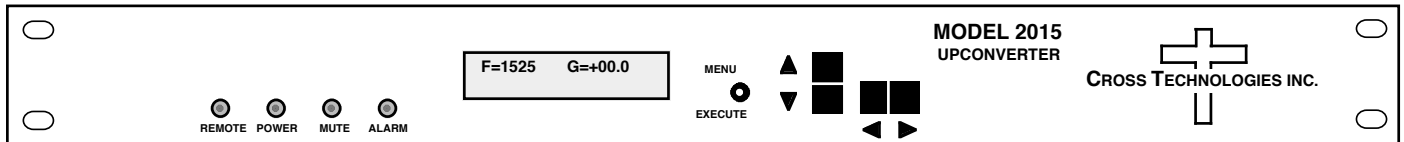


Instruction Manual

Model 2015-03 Upconverter

May 2013, Rev. G



Data, drawings, and other material contained herein are proprietary to Cross Technologies, Inc., but may be reproduced or duplicated without the prior permission of Cross Technologies, Inc. for purposes of operating the equipment.

When ordering parts from Cross Technologies, Inc., be sure to include the equipment model number, equipment serial number, and a description of the part.



6170 Shiloh Road
Alpharetta, Georgia 30005

(770) 886-8005
FAX (770) 886-7964
Toll Free 888-900-5588

WEB www.crosstechnologies.com
E-MAIL info@crosstechnologies.com

INSTRUCTION MANUAL
MODEL 2015-03 Upconverter

<u>TABLE OF CONTENTS</u>	<u>PAGE</u>
Warranty	2
1.0 General	3
1.1 Equipment Description	3
1.2 Technical Characteristics	4
1.3 Monitor & Control Interface	5
1.4 Environmental Use Information	8
2.0 Installation	9
2.1 Mechanical	9
2.2 Rear I/O's	10
2.3 Front Panel Controls, Indicators	11
2.4 Operation	12
2.5 Menu Settings	13

WARRANTY - The following warranty applies to all Cross Technologies, Inc. products.

All Cross Technologies, Inc. products are warranted against defective materials and workmanship for a period of one year after shipment to customer. Cross Technologies, Inc.'s obligation under this warranty is limited to repairing or, at Cross Technologies, Inc.'s option, replacing parts, subassemblies, or entire assemblies. Cross Technologies, Inc. shall not be liable for any special, indirect, or consequential damages. This warranty does not cover parts or equipment which have been subject to misuse, negligence, or accident by the customer during use. All shipping costs for warranty repairs will be prepaid by the customer. There are not other warranties, express or implied, except as stated herein.



6170 Shiloh Road
Alpharetta, Georgia 30005

(770) 886-8005
FAX (770) 886-7964
Toll Free 888-900-5588

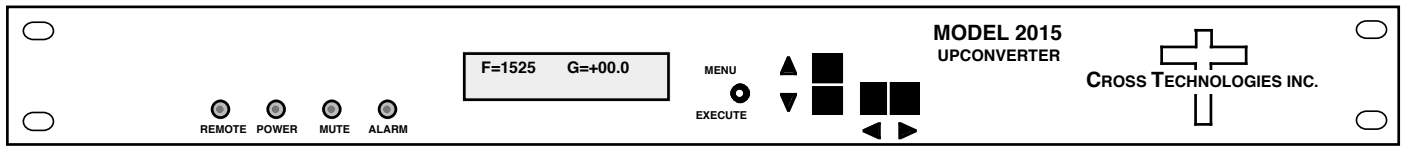
WEB www.crosstechnologies.com
E-MAIL info@crosstechnologies.com

2015-03 Upconverter, 70 MHz to 0.95 - 1.525 GHz

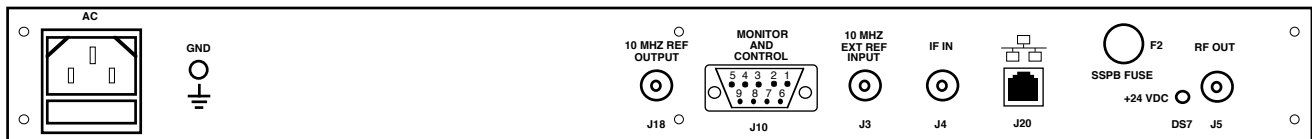
1.0 General

1.1 Equipment Description

The 2015-03 L-band Upconverter converts 70 ± 18 MHz to 950 to 1525 MHz in 1 MHz steps (125 kHz to 1 kHz step options available). Synthesized local oscillators (LO) provide frequency selection. Push button switches select the RF frequency, gain, and other parameters. Front panel LEDs provide indication of DC power (green), PLL alarm (red), remote operation (yellow) and TX carrier MUTE (yellow). Variable attenuators for the IF input and output provide a gain range of -10 to +30 dB as adjusted by the front panel push-button switches. Remote operation allows selection of frequency and gain. Parameter selection and frequency and gain settings appear on the LCD display. Connectors are BNC female for IF and the optional external reference input and output, and Type F female for the RF output. SSPB +24 or +48 VDC and 10 MHz reference can be inserted on the RF line as added options. The external 10 MHz Option E includes a 10 MHz output connector which contains either the internal or external 10 MHz reference signal. A high stability Option H (± 0.01 ppm) is also available. The unit is powered by a $100-240 \pm 10\%$ VAC power supply, and housed in a 1 3/4" X 19" X 16" rack mount chassis.



FRONT PANEL



REAR PANEL

FIGURE 1.1 Model 2015-03 Front and Rear Panels

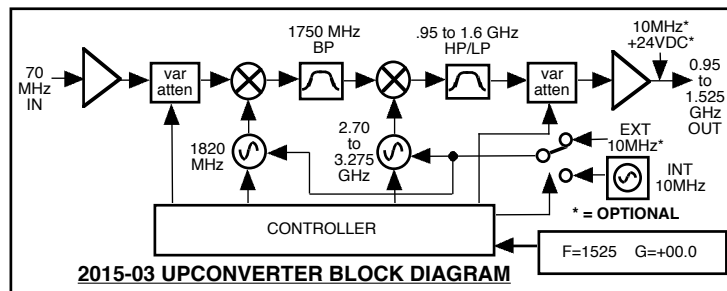


FIGURE 1.2 Model 2015-03 Upconverter Block Diagram

1.2 Technical Characteristics

TABLE 1.0 2015-03 Upconverter Specifications*

Input Characteristics

Impedance/Return Loss	75 Ω /18 dB (See TABLE 2.2 for connector options)
Frequency	70 ± 18 MHz
Input Level	-40 to -10 dBm

Output Characteristics

Impedance/Return Loss	75 Ω/12 dB (See TABLE 2.2 for connector options)
Frequency	950 to 1525 MHz
Output level	0 to -20 dBm
Output level/1 dB	+5 dBm

Channel Characteristics

Gain range (adjustable)	-10.0 to +30.0 dB, 1±1 dB steps
Frequency Response	±1.5 dB, 950 - 1525 MHz; ± 0.5 dB, 36 MHz BW; ±1.0 dB, 40 MHz BW
Spurious Response	<-50 dBC, IN Band
Group Delay, max.	0.015 ns/MHz ² parabolic; 0.05 ns/MHz linear; 1 ns ripple
Frequency Sense	Non-inverting

Synthesizer Characteristics

Frequency Accuracy	± 1.0 ppm max. over temp (± 0.01 ppm, Option -H)
Frequency Step	1.0 MHz minimum (125 kHz to 1 kHz step options available)

Phase Noise @ F (Hz) >	10	100	1K	10K	100K	1M
Standard dBC/(Hz)	-55	-75	-75	-85	-95	-120
Opt. W87 Enhanced dBC/(Hz)	-60	-75	-85	-90	-105	-120

10 MHz level (In or Out) 3 dBm, ± 3 dB, 75 ohms (**Option -E**)

Controls, Indicators

Frequency Selection	Direct readout LCD; pushbutton switches or remote selection
Gain Selection	Direct readout LCD; pushbutton switches or remote selection
Power	Green LED
Alarm	Red LED
Remote	Yellow LED; RS232C, 9600 baud (RS485, Ethernet Optional)
Mute	Yellow LED

Other

RF Connector	Type F (female) (see TABLE 2.2 for other options)
IF Connector	BNC (female) (see TABLE 2.2 for other options)
10 MHz Conn. (In/Out)	BNC (female), 75Ω, works with 50 or 75 ohms (option E)
Alarm/Remote Connector	DB9 - NO or NC contact closure on Alarm
Size	19 inch, 1RU standard chassis 1.75" high X 16.0" deep
Power	100-240 ±10% VAC, 47-63 Hz, 25 watts max., (24, 48 VDC (Optional))

Available Options

-E	External 10 MHz reference In & Out; RF Insertion
-H	High Stability (± 0.01 ppm) internal reference
-V	SSPB Voltage, +24 VDC, 2.5 amps
-V48	SSPB Voltage, +48 VDC, 1.25 amps
-V41	SSPB Voltage, +48 VDC, 2.10 amps
-X or X1	125 kHz or 100 kHz step size
-X1003	1 kHz includes Option -H
-Z or Z5	Attenuator 0.1 dB or 0.5 dB steps

Communication Interface/Standard RS232

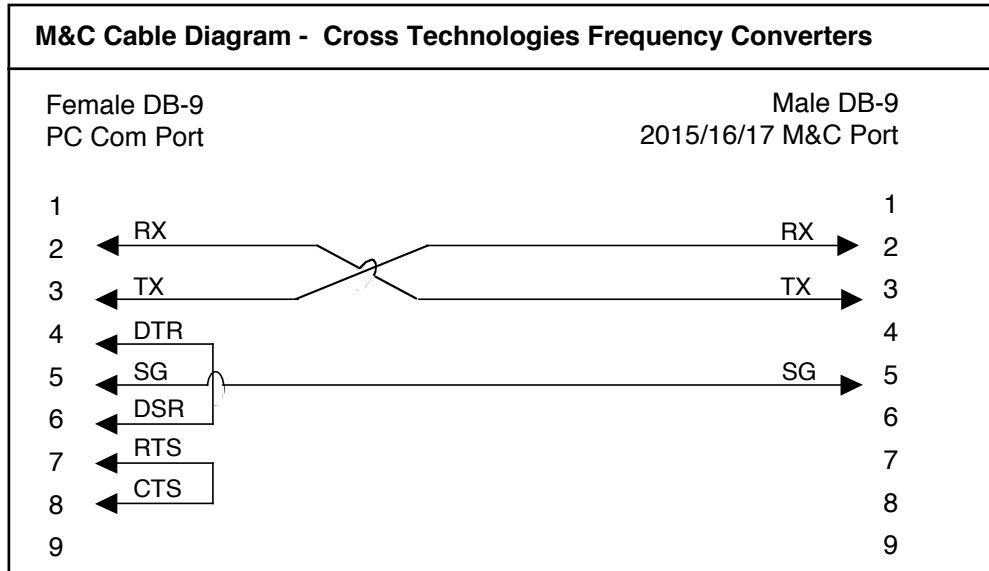
-Q	RS-485 Remote Interface
-W8	Ethernet M&C Remote Interface
-W18	Ethernet with Web Browser and SNMP
-W28	Ethernet with TCP/IP, <i>Telenet</i> ®
Connectors/Impedance	See TABLE 2.2

*+10°C to +40°C; Specifications subject to change without notice

1.3 Monitor and Control Interface

A) Remote serial interface

Protocol: RS-232C, 9600 baud rate, no parity, 8 data bits, 1 start bit, and 1 stop bit.
(RS-232C, RS-422, or **RS-485 - option -Q**)



Connector: Rear panel, DB-9 male

J10 Pinouts (RS-232C/422/485)	
Pin	Function
1	Rx-
2	Rx+ (RS-232C)
3	Tx+ (RS-232C)
4	Tx-
5	GND
6	Alarm Relay: Common
7	Alarm Relay: Normally Open
8	Not Used
9	Alarm Relay: Normally Closed

B) Status Requests Table 1.1 lists the status requests for the 2015-03 and briefly describes them

* PLEASE NOTE: The two character {aa}(00-31) prefix, in the table below, should be used ONLY when RS-485, (OPTION-Q), is selected.

TABLE 1.1 2015-03 Status Requests		
Command	Syntax *	Description
Command Status	{aaS1}	Returns {aaS1bbbbccddAM} where:
		• bbbb = Tx frequency
		4 characters - standard (7 characters - Option-X)
		• ccc = Tx gain
		• dd = Tx input level (10 to 40 => -10 to -40 dBm)
		• A = 0 - summary alarm
		• M = Tx RF Status (1 = Normal, 0 = Muted)
10 MHz Reference Status (option -E only)	{aaS2}	Returns {aaS2ER} where:
		• E = Ext 10MHz Status (1 = on, 0 = off)
		• R = 10MHz RF insertion status (1 = inserted, 0 = NOT inserted)
SSPB Current (option -V only)	{aaS4}	Returns {aaS4bbb} where:
		• bbb = SSPB current, range 000 to 250 (0 to 2500 mA)
Spectrum Invert Status (Option -W64 only)	{aaS8}	Returns {aaS8a} where:
		• a = 1 if spectrum is inverted, a = 0 if spectrum is normal

C) Commands Table 1.2 lists the commands for the 2015-03 and briefly describes them. After a command is sent the 2015-75 sends a return “>” indicating the command has been received and executed.

General Command Format - The general command format is {CND...}, where:

- { = start byte
- C = 1 character, either C (command) or S (status)
- N = 1 character command or status request
- D = 1 character or more of data (depends on command)
- } = stop byte

*** PLEASE NOTE:** The two character {aa}(00-31) prefix, in the table below, should be used **ONLY** when RS-485, (OPTION-Q), is selected.

Table 1.2 2015-03 Commands		
Command	Syntax*	Description
Set Transmitter Frequency	{aaC1xxxx}	where: <ul style="list-style-type: none"> • xxxx = 4 characters standard (7 characters -Option-X) • Range: 0950 to 2150 MHz, in 1 MHz steps 0950.000 to 2150.000 in 1 kHz steps (option-X)
Set Input Level	{aaCIxx}	where: <ul style="list-style-type: none"> • xx = 2 characters • Range: 10 to 40 (-10 to -40 dBm, in 1 dB steps)
Set Transmit Gain	{aaC3xxx}	where: <ul style="list-style-type: none"> • xxx = 2 characters (0 to 30dB), 3 characters (-10 to -1dB) • Range: -10 to 30 (-10 dB to +30 dB, in 1 dB steps) <i>if option Z or option Z5:</i> • xx =3 characters (0 to 300dB), 4 characters (-100 to -10dB) • Range: -100 to 300 (-10.0 dB to +30.0 dB) • <i>Note: must include tenths digit for options Z and Z5, do not include decimal point</i>
Enable 10MHz RF Insertion (option -E only)	{aaC5x}	where x =: <ul style="list-style-type: none"> • 0 to disable 10MHz RF insertion • 1 to enable 10MHz RF insertion
Enable Tx	{aaCAx}	where x =: <ul style="list-style-type: none"> • 0 to disable Tx signal • 1 to enable Tx signal
Enable External 10MHz (option -E only)	{aaCEx}	where x =: <ul style="list-style-type: none"> • 0 to disable External 10MHz ref signal • 1 to enable External 10MHz ref signal
Set Spectrum Invert (Option -W64 only)	{aaC8x}	where x =: <ul style="list-style-type: none"> • 0 to disable Spectrum Invert • 1 to enable Spectrum Invert
Enable Remote	#	Just # sign
Disable Remote	{aaCRO}	{CR and zero}

1.4 Environmental Use Information

- A. **Rack-Mounting** - To mount this equipment in a rack, please refer to the installation instructions located in the user manual furnished by the manufacturer of your equipment rack.
- B. **Mechanical Loading** - Mounting of equipment in a rack should be such that a hazardous condition does not exist due to uneven weight distribution.
- C. **Elevated Operating Ambient Temperature** - If installed in a closed or multi-unit rack assembly, the operating ambient temperature of the rack may be greater than room ambient temperature. Therefore, consideration should be given to T_{mra} .
- D. **Reduced Air Flow** - Installation of the equipment in a rack should be such that the amount of air flow required for safe operation of the equipment is not compromised. Additional space between units may be required.
- E. **Circuit Overloading** - Consideration should be given to the connection of the equipment to the supply circuit and the effect that overloading of circuits could have on over current protection and supply wiring. Appropriate consideration of equipment name plate rating should be used, when addressing this concern.
- F. **Reliable Earthing** - Reliable earthing of rack-mounted equipment should be maintained. Particular attention should be given to supply connections other than direct connection to the Branch (use of power strips).
- G. **Top Cover** - There are no serviceable parts inside the product so, the Top Cover should not be removed. If the Top Cover is removed the ground strap and associated screw **MUST BE REINSTALLED** prior to Top Cover screw replacement. **FAILURE TO DO** this may cause **INGRESS** and/or **EGRESS** emission problems.

2.0 Installation

2.1 Mechanical - The 2015-03 consists of one RF/Controller PCB housed in a 1 RU (1 3/4 inch high) by 16 inch deep chassis. A switching, ± 12 , +24, +5 VDC power supply provides power for the assemblies. The 2015-03 can be secured to a rack using the 4 holes on the front panel. Figure 2.0 shows how the 2015-03 is assembled.

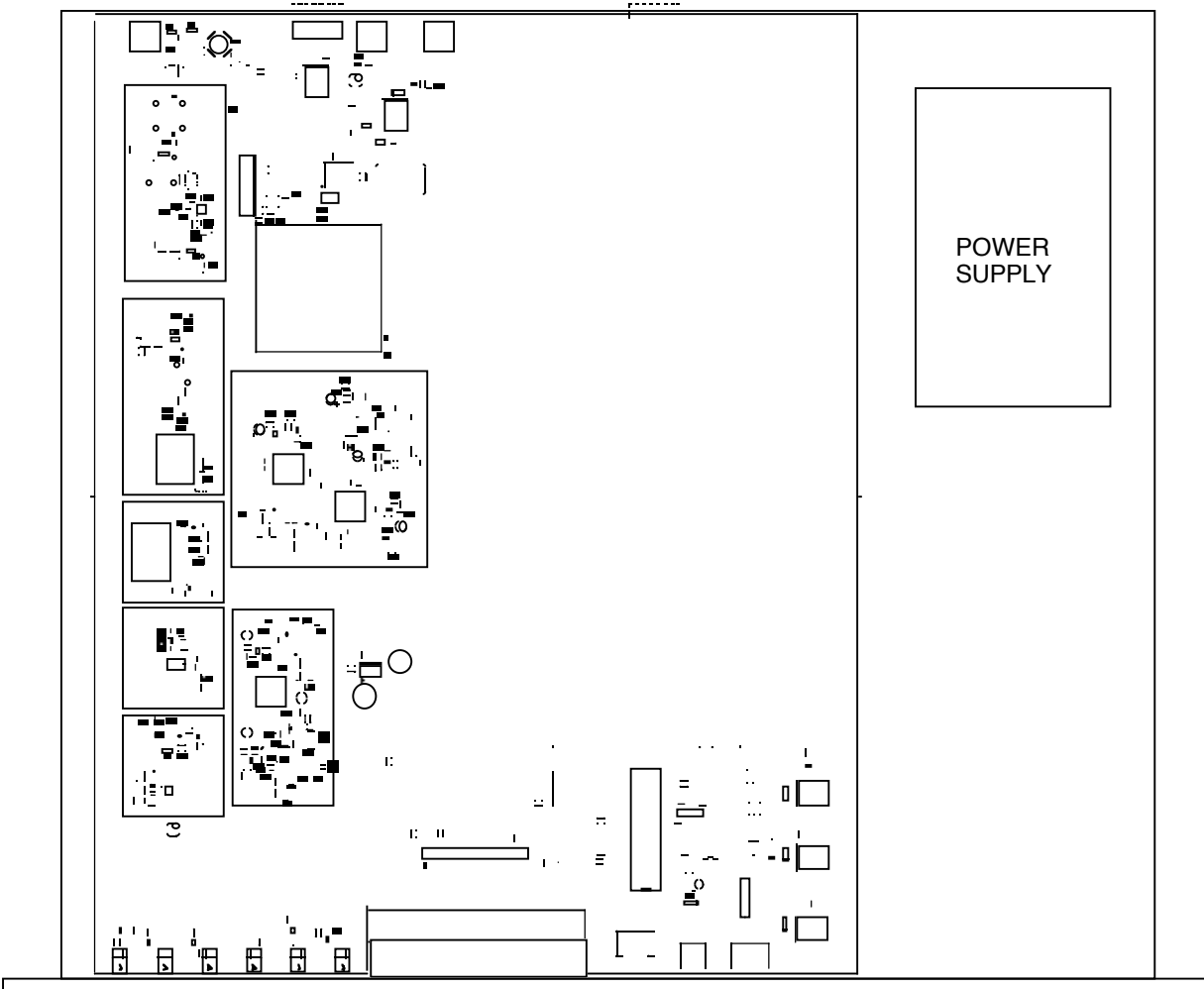


FIGURE 2.0 2015-03 Mechanical Assembly

2.2 Rear Panel Input/Output Signals - Figure 2.1 shows the input and output connectors on the rear panel.

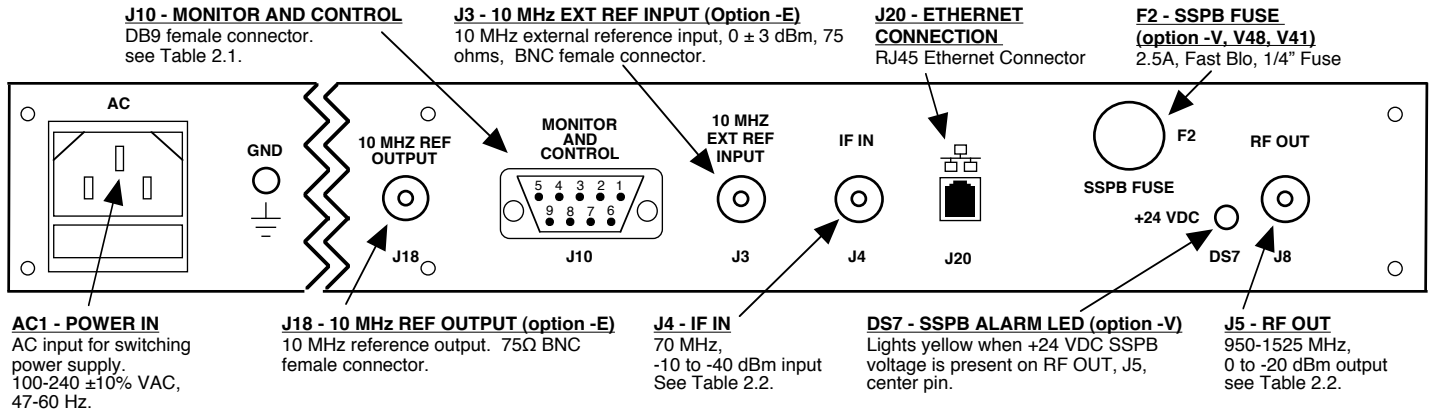


FIGURE 2.1 2015-03 Rear Panel I/O's

TABLE 2.1 J10 Pinouts (RS-232C/422/485*)	
Pin	Function
1	Rx-
2	Rx+ (RS-232C)
3	Tx+ (RS-232C)
4	Tx-
5	GND
6	Alarm Relay: Common
7	Alarm Relay: Normally Open
8	Not Used
9	Alarm Relay: Normally Closed

*Remote Serial Interface

Interface: DB-9 Male

Protocol: RS-232C (RS-232C/422/485 **option -Q**),

9600 baud rate, no parity, 8 data bits, 1 start bit, 1 stop bit.

TABLE 2.2 IF/RF Connector Options		
Option	IF	RF
STD	BNC, 75 Ω	Type F, 75 Ω
-B	BNC, 75 Ω	BNC, 75 Ω
-C	BNC, 75 Ω	BNC, 50 Ω
-F	F-type, 75 Ω	F-type, 75 Ω
-D	BNC, 50 Ω	BNC, 50 Ω
-N	BNC, 75 Ω	Type N, 50 Ω
-M	BNC, 50 Ω	Type N, 50 Ω

2.3 Front Panel Controls and Indicators -The following are the front panel controls and indicators.

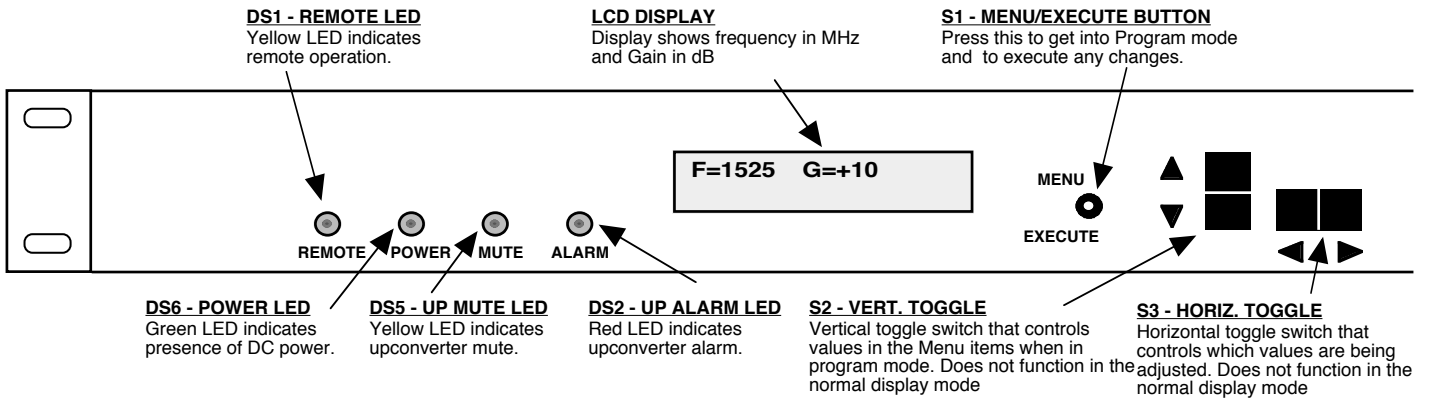


FIGURE 2.2 2015-03 Front Panel Controls and Indicators

2.4 Installation / Operation

2.4.1 Installing and Operating the 2015-03, Upconverter Section

1. Connect a -40 dBm to -10 dBm signal to IF In, J4 (Figure 2.1)
2. Connect the RF OUT, J5, to the external equipment
3. Connect 100-240 \pm 10% VAC, 47 - 63 Hz to AC1 on the back panel.
4. Set the desired output frequency (See Section 2.5 Menu Settings).
5. Set the input level (See Section 2.5 Menu Settings).
6. Set the gain for -10 to +30 dB. Make sure the output stays within 0 to -20 dBm with the gain selected and the input level provided. The firmware will prevent setting gain and input level outside this range. (See Section 2.5 Menu Settings).
7. Be sure DS6 (green, DC Power) is on and DS2 (red, Alarm) is off (Figure 2.2).
8. Options -V, -V41, -V48 only - To insert SSPB Voltage, +24, +V48 VDC on the RF center pin install 2.5A fast blo fuse in F2 and check that DS7 lights yellow (Figure 2.1)
9. **AC Fuse** - The fuse is a 5 mm X 20 mm, 2 amp slow blow (Type T) and is inserted in the far slot in the drawer below the AC input as shown in Figure 2.3. There is a spare fuse in the near slot. If a fuse continues to open, the power supply is most likely defective.

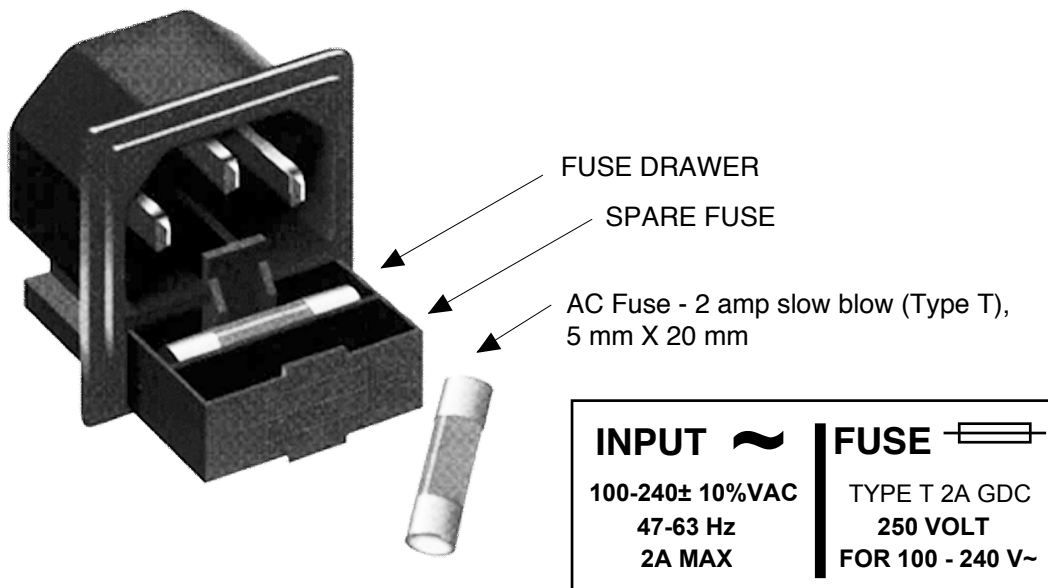


FIGURE 2.3 Fuse Location and Spare Fuse

2.5 Menu Settings

2.5.1 Functions - This section describes operation of the front panel controls. There are three operator switches, the LCD display and alarm indicator LEDs. All functions for the equipment are controlled by these components. The functions are (see Figure 2.4):

Power Up

Normal Display

- Menu 1** Frequency in MHz
- Menu 2** Input Level (Set from -40 to -10)
- Menu 3** Gain (-10 to +30, 1dB steps (0.1dB steps, option -Z))
- Menu 4** Up Mute
- Menu 5** Set Unit to Remote Operation
- Menu 6** Set Spectrum Invert (option -W64)
- Menu 7** Select External 10 MHz Ref (option -E)
- Menu 8** Select Reference Out (option -E)
- Menu 9** Set Remote mode (option -Q)
- Menu 10** Set RS-485 address (option -Q)
- Menu 11** View PCB Temperature (option -T)
- Menu 12** View SSPB Current (option -V)

Save Menu When go to end

Alarm indications appear on the LEDs (see figure 2.2).

All program changes must start with the operation of the Menu/Execute switch and must also end with the operation of the Menu/Execute switch verified by the “Save Settings?” Menu. If this sequence is not followed, none of the changes will take effect. If programming is initiated and no operator action takes place for approximately 30 seconds (before the final press of the Menu/Execute switch) the display will revert to its previous status and you will need to start over.

2.5.2. Power On Settings

NOTE: THE LAST STATUS OF A UNIT IS RETAINED EVEN WHEN POWER IS REMOVED. WHEN POWER IS RESTORED, THE UNIT WILL RETURN TO IT'S PREVIOUS SETTINGS.

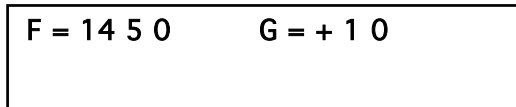
When power is first applied, the LCD display goes through three steps.

1. The LCD goes black to show all segments are functioning.
2. The software version will be displayed.



REV 1 . 0 0

3. The present frequency and gain of the upconverter is shown.



F = 14 5 0 G = + 1 0

The unit is now operational and ready for any changes the operator may desire.

2.5.3 Control Switches

1. Menu/Execute - Any change to the programming of the unit must be initiated by pressing the Menu/Execute switch and completed by pressing the Menu/Execute switch.
2. Horizontal Switch - This switch is mounted so its movement is horizontal and moves the cursor left or right.
3. Vertical Switch - This switch is mounted so its movement is vertical and has two functions:
 - a. During frequency , gain changes, the vertical movement will raise or lower the number in the direction of the arrows.
 - b. For other functions such Mute on/off, the vertical switch will alternately turn the function on or off regardless of the direction operated.

2.5.4 Frequency Changes

At any time during the modification process, if you have made a mistake and do not wish to save the changes you have made, **do not press the Menu/Execute switch**; simply do nothing for approximately 12 seconds, and the system will return to the normal operating mode or scroll to “**R**” and push the Menu/Execute switch and select “**NO**” in the “**SAVE SETTINGS?**” window.

To change the FREQUENCY:

Operate the Menu/Execute switch until you get to the menu item you want to change see Figure 2.4 for the sequence of menu options. The following display is for changing the upconverter frequency:

```
FREQ = 1 4 5 0      R
```

Pressing the Up/Down switch down will toggle the display to:

```
FREQ = 1 3 5 0      R
```

By using the horizontal rocker switch the cursor can be moved left or right .

```
FREQ = 1 3 5 0      R
```

NOTE: CHANGES DO NOT TAKE PLACE ON FREQUENCY UNTIL YOU GO TO THE SAVE MENU AND INDICATE YOU WANT TO SAVE THE CHANGES. THE CARRIER IS MUTED WHEN FREQUENCY IS CHANGED.

When the display indicates the value desired you can push the Menu/Execute switch to the next item:

```
UP IN LVL = - 2 0      R
```

OR you can scroll to “R”, push the Menu/Execute switch to get to:

```
SAVE SETTINGS? Y N
```

Selecting **Y** will save the new settings. Selecting **N** will revert to the previous settings.

Pushing the Menu/Execute switch then takes you to the :

```
F = 13 5 0      G = + 1 0
```

Figure 2.4 gives the menu items and how to make changes

2.5.5 Gain Changes

When you get to this menu note that the gain changes will be made as you make them but if you do not wish to save the changes you have made, scroll to “R” and push the menu/Execute switch and select “NO” in the “SAVE SETTINGS?” window or **do not press the Menu/Execute switch**; simply do nothing for approximately 12 seconds, and the system will return to the normal operating mode.

The following display is for changing the upconverter input level. This is an important setting to optimize spurious and should be made as accurately as possible:

```
UP IN LVL = - 2 0      R
```

NOTE: CHANGES TAKE PLACE ON LEVEL AND GAIN IMMEDIATELY BUT DO NOT GET SAVED UNTIL YOU GO TO THE SAVE MENU AND INDICATE YOU WANT TO SAVE THE CHANGES.

Press the Up/Down switch to change the level in 1 dB steps and then push the Menu/Execute switch to get to the Gain setting:

```
G A I N = + 2 0      R
```

Pressing the Up/Down switch to change the gain in 1 or 10 dB steps and then push the Menu/Execute switch to get to the Gain setting:

```
G A I N = + 2 0      R
```

By using the horizontal rocker switch the cursor can be moved left or right .

Pressing the Up/Down switch down will toggle the display digit selected until you have the desired gain.

NOTE: THE GAIN WILL BE CHANGED AS YOU ADJUST THE NUMBERS. HOWEVER, THE VALUE WILL NOT BE STORED UNTIL YOU INDICATE YES IN THE SAVE SETTINGS WINDOW. DO NOT SET A GAIN THAT WOULD EXCEED 0 dBm OR HAVE LESS THAN -20 dBm OUTPUT LEVEL. THE FIRMWARE PREVENTS YOU FROM THIS.

When the display indicates the value desired you can push the Menu/Execute switch to the next item OR you can scroll to “R”, push the Menu/Execute switch to get to:

```
SAVE SETTINGS?  Y N
```

Selecting Y will save the new settings. Selecting N will revert to the previous settings.

Pushing the Menu/Execute switch then takes you to the :

```
F = 13 5 0      G = + 2 0
```

Figure 2.4 gives the menu items and how to make changes

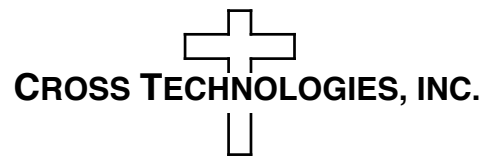
2.5.5 Alarm Indications

An alarm condition will occur if any local oscillator phase lock loop (PLL) comes out of lock. The Mute LED will light if you select Mute and the Remote LED will light when you select the Remote mode.

Power Up	ON POWER UP REV 1.00		
Normal Display	NORMAL DISPLAY F = 1450 G = +10.0		PUSH BUTTON
Menu 1 Frequency	F = 1450 R	SCROLL <> SCROLL <>	PUSH BUTTON
Menu 2 Input Level (Set from -40 to -10)	UP INLVL = -20 R	SCROLL <> SCROLL <>	PUSH BUTTON
Menu 3 Gain (-10.0 to +30.0)	G = +10.0 R	SCROLL <> SCROLL <>	PUSH BUTTON
Menu 4 Up Mute	UP MUTE OFF R	SCROLL <> SCROLL <>	PUSH BUTTON
Menu 5 Set Unit to Remote Operation	REMOTE OFF R	SCROLL <> SCROLL <>	PUSH BUTTON
Menu 6 Set Spectrum Invert (option -W64)	UP SPECTRUM INVERT R	SCROLL <> SCROLL <>	PUSH BUTTON
Menu 7 Select External 10 MHz Reference (option -E)	EXT REF OFF R	SCROLL <> SCROLL <>	PUSH BUTTON
Menu 8 Select 10MHz Reference Out (option -E)	REF OUT OFF R	SCROLL <> SCROLL <>	PUSH BUTTON
Menu 9 Set Remote Mode (option -Q)	RS 485 OFF R	SCROLL <> SCROLL <>	PUSH BUTTON
Menu 10 Set RS-485 Address (option -Q)	ADDRESS = 00 R		PUSH BUTTON
Menu 11 View PCB temperature (option -T)	TEMP = 35 DEG R		PUSH BUTTON
Menu 12 View SSPB current (option -V)	SSB DC = 1.86 A R	SCROLL <>	PUSH BUTTON
Save? When "R" is selected from any above menu or at the end	SAVE SETTINGS? Y N		

Power Up	ON POWER UP REV 1.00		
Normal Display	NORMAL DISPLAY F = 1450 G = +10.0		PUSH BUTTON
Menu 1 Frequency	F = 1450 R	SCROLL ⇐ SCROLL ⇐	PUSH BUTTON
Menu 2 Input Level (Set from -40 to -10)	UP INLVL = -20 R	SCROLL ⇐ SCROLL ⇐	PUSH BUTTON
Menu 3 Gain (-10.0 to +30.0)	G = +10.0 R	SCROLL ⇐ SCROLL ⇐	PUSH BUTTON
Menu 4 Up Mute	UP MUTE OFF R	SCROLL ⇐ SCROLL ⇐	PUSH BUTTON
Menu 5 Set Unit to Remote Operation	REMOTE OFF R	SCROLL ⇐ SCROLL ⇐	PUSH BUTTON
Menu 6 Set Spectrum Invert (option -W64)	UP SPECTRUM INVERT R	SCROLL ⇐ SCROLL ⇐	PUSH BUTTON
Menu 7 Select External 10 MHz Reference (option -E)	EXT REF OFF R	SCROLL ⇐ SCROLL ⇐	PUSH BUTTON
Menu 8 Select 10MHz Reference Out (option -E)	REF OUT OFF R	SCROLL ⇐ SCROLL ⇐	PUSH BUTTON
Menu 9 Set Remote Mode (option -Q)	RS 485 OFF R	SCROLL ⇐ SCROLL ⇐	PUSH BUTTON
Menu 10 Set RS-485 Address (option -Q)	ADDRESS = 00 R		PUSH BUTTON
Menu 11 View PCB temperature (option -T)	TEMP = 35 DEG R		PUSH BUTTON
Menu 12 View SSPB current (option -V)	SSB DC = 1.86 A R	SCROLL ⇐	PUSH BUTTON
Save? When "R" is selected from any above menu or at the end	SAVE SETTINGS? Y N		

FIGURE 2.4 Menu Display and Sequences



6170 Shiloh Road
Alpharetta, Georgia 30005

(770) 886-8005
FAX (770) 886-7964
Toll Free 888-900-5588

WEB www.crosstechnologies.com
E-MAIL info@crosstechnologies.com

Printed in USA