

**70421 Switch**

The 70421 Switch provides internal or external switching of any or all of three 70 MHz IF inputs, combining, and amplification to provide a 0 dB gain of the output signal. In the EXTERNAL mode, grounding a switch control input allows the corresponding IF signal to pass through. When switched to INTERNAL, SPDT toggle switches control the IF switches. A green LED shows that DC power is applied. The female IF connectors are 2-BNC and 1-TNC for inputs and TNC for the output. The Control and DC Input connector is DB9, female. The unit is in a 1.2"high X 3.3" wide X 4.5" deep aluminum chassis.

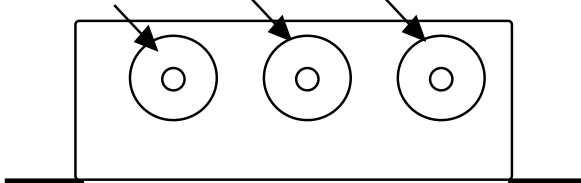
**J1, J2, J3 - IF Inputs** - The IF 70 MHz input; 50 ohms, BNC, TNC, BNC input at 0 dBm max level.

**J5 - IF IN** - The switched, combined 70 MHz IF input: 50 ohms, TNC, female.

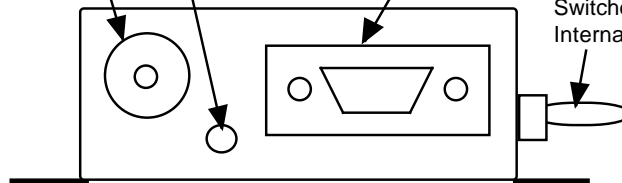
**DS1 - V+** - Green LED Indicates +24 VDC Power Applied.

**J4 - DC POWER and Control Closures** - The +24 VDC DC voltage and the three contact closures to control the switch. DB9, female

**INT SEL** - Four Switches for Internal control



**70421 Switch FRONT PANEL**



**70421 Switch REAR PANEL**

**70421 Specifications**

**Switch Characteristics**

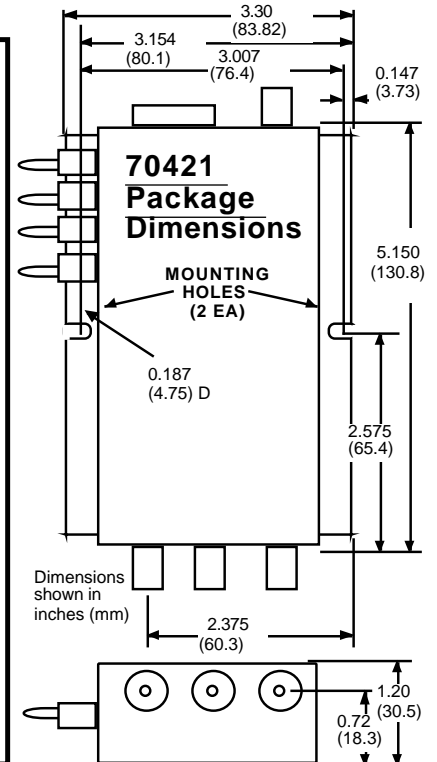
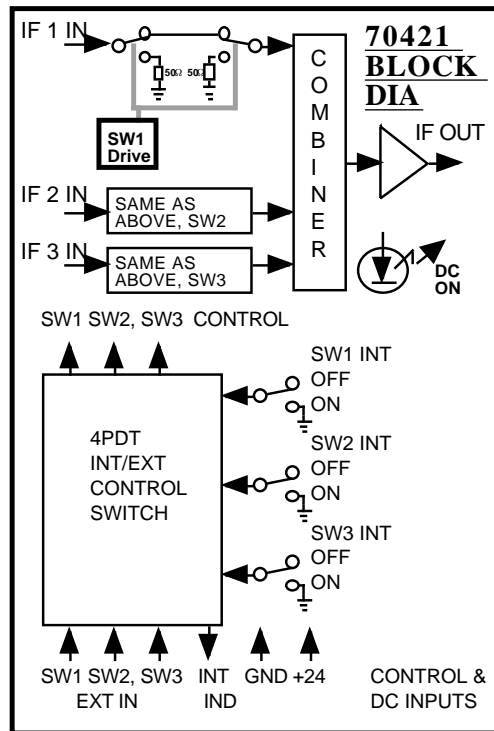
Frequency	70 ± 20 MHz
Impedance, In, Out	50 ohms
Return Loss, In, Out	> 15 dB
Level, Max.	+5 dBm
Level, 1 dB Comp.	+10 dBm
Switch Type	Solid State
Splitter Type	Reactive
Isolation, Switch off	> 50dB
Isolation, Port to Port	> 20dB, all "ON"
Switch time	10 milliseconds
Insertion Loss	0±1 dB

**Controls and Indicators**

Switch Select	Closures to ground select CH1, CH2, and/or CH3
LED	POWER, green LED

**Other**

Connectors, IF	50 ohm: BNC, female (IF1, IF3), TNC, female (IF2, IF Out)
Connector, DC, Control	DB9, female
Mechanical	1.2"H X 3.3" W X 6.0" D
Power, max	+24 VDC, 100ma



\*+10 to +40 degrees C; 2000 meters max elevation; 80% max humidity; Specifications subject to change without notice