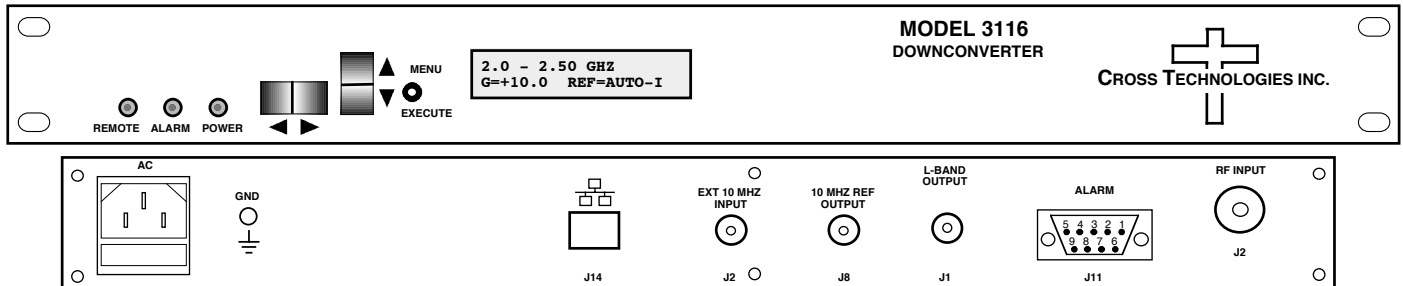


3116-2025 Block Downconverter, 2.0 - 2.5 GHz to 0.95 - 1.45 GHz

The 3116-2025 Downconverter converts 2.0 - 2.5 GHz to 0.95 - 1.45 GHz (non-inverted) with 10.75 and 11.80 GHz local oscillators. The gain is +35 dB maximum and is adjustable in 0.5 ± 0.5 dB steps. Front panel LEDs provide indication of Remote operation, PLL Alarm and DC Power. Gain and internal/external/Auto reference frequency selection are controlled by front panel switches or remote selection (via RS-232C/485, standard; Ethernet Optional) and are viewable on the LCD Display. Connectors are Type N female for RF In and BNC female for the L-band and external reference input and reference output. In AUTO, the 10 MHz reference stays in external if the external level is $+3$ dBm, ± 3 dB. It is powered by a 100-240 $\pm 10\%$ VAC power supply, and housed in a 1 3/4" X 19" X 14" rack mount chassis.



EQUIPMENT SPECIFICATIONS*

Input Characteristics (RF)

Impedance/Return Loss	50 Ω /14 dB
Frequency	2.0 to 2.5 GHz
Noise Figure, Max.	15 dB max gain
Input Level range	-55 to -35 dBm
Input 1 dB compression	-25 dBm

Output Characteristics

Impedance/Return Loss	50 Ω /14 dB
Frequency	0.95 to 1.45 GHz
Output Level Range	-20 to 0 dBm
Output 1 dB compression	+10 dBm at max. gain

Channel Characteristics

Gain, max; adjustment	+35 dB ± 2 dB, max. gain; 30 dB adjustment in 0.5 ± 0.5 dB Steps
Image Rejection	> 60 dB, min
Spurious, In Band	-55 dBC in band, 0 dBm out; (0.95-1.45 GHz Out)
Spurious, Out of Band	<-50 dBC (0.5-0.95 GHz and 1.45-2.5 GHz Out)
Intermodulation	<-55 dBC for two carriers each at -10 dBm out
Frequency Response	± 1.0 dB, 0.95 -1.45 GHz out; ± 0.5 dB, 40 MHz BW
Frequency Sense	Non-inverting

LO Characteristics

LO Frequencies	10.75 and 11.80 GHz
Frequency Accuracy	± 0.01 ppm max over temp internal reference; ext. ref. input
10 MHz In/Out Level	3 dBm, ± 3 dB, w/ Auto-detect

Phase Noise @ F (Hz) >	10	100	1K	10K	100K	1M
Standard dBC/Hz	-55	-70	-80	-80	-95	-110

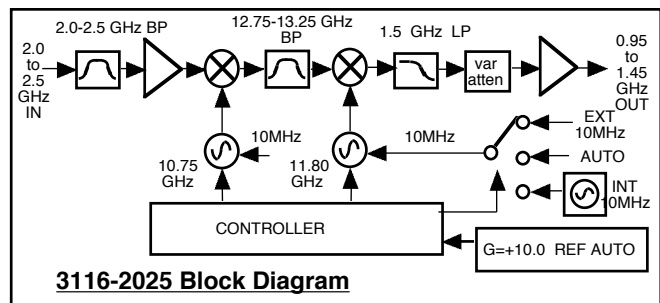
Controls, Indicators

Gain; Ext Ref Selection	direct readout LCD; pushbutton switches or remote
Power; Alarm; Remote	Green LED; Red LED; Yellow LED
Remote	RS232C/RS485/422, 9600 baud (Ethernet Optional)

Other

RF In Connector	Type N (female), 50 Ω
L-band Connector	BNC (female), 50 Ω
10 MHz Connectors	BNC (female), 75 Ω , works with 50 or 75 ohms
Alarm/Remote Conn.	DB9 - NO or NC contact closure on Alarm
Size	19 inch standard chassis 1.75" high X 14.0" deep
Power	100-240 $\pm 10\%$ VAC, 47 - 63 Hz, 30 watts max.

Front and Rear Panel



Available Options

W31- 0 to +50 degrees C operation

Remote M&C Ethernet Options

W8 - Ethernet w/web browser Interface
W18 - Ethernet w/SNMP (and MIB) Interface
W28 - Ethernet w/direct TCP/IP Interface

Connector Options

N - 50 Ω N-type (RF), 75 Ω BNC (L-BAND)
NF - 50 Ω N-type (RF), 75 Ω F-type (L-BAND)
NN - 50 Ω N-type (RF), 50 Ω N-type (L-BAND)
S7 - 50 Ω SMA (RF), 75 Ω BNC (L-BAND)
SF - 50 Ω SMA (RF), 75 Ω F-type (L-BAND)
SN - 50 Ω SMA (RF), 50 Ω N-type (L-BAND)
SS - 50 Ω SMA (RF), 50 Ω SMA (L-BAND)

Contact Cross for other options

*10°C to 40°C; Specifications subject to change without notice