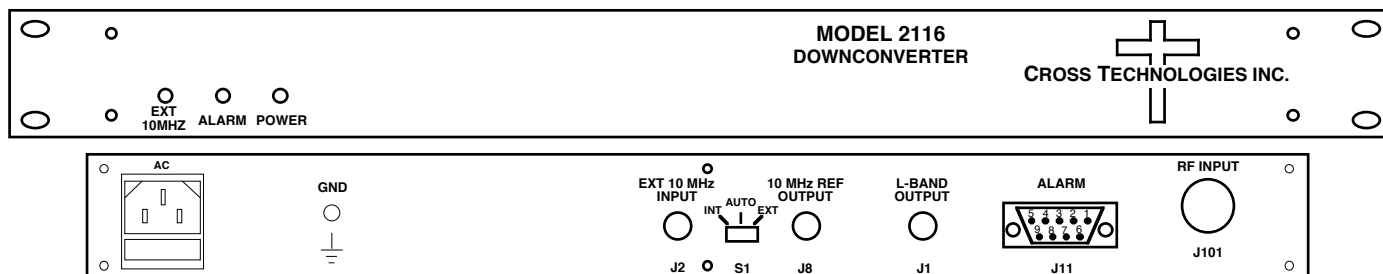


2116-28#-1200 Block Downconverter, 2.0 - 2.8 GHz to 1.2 ± 0.40 GHz, Non-Inverting

The **2116-28#-1200** Downconverter converts **2.0 - 2.8 GHz** to **1.2 ± 0.40 GHz** with low phase noise and flat frequency response. **Dual conversion** frequency translation is via **6.20 GHz and 5.00 GHz local oscillators**. Front panel LEDs provide indication of DC Power, External 10 MHz, and PLL Alarm. The gain is +0 dB. Connectors are Type N female for the RF and BNC female for the L-Band and external reference input and reference output. A three-way switch controls which 10 MHz reference is being used. In the INT position, the internal reference is used, in the EXT position, the external reference is used, and in the AUTO position, the internal reference is used unless a 3 dBm ± 3 dB, 10MHz reference signal is connected to the external reference input. The 2116 is powered by a 100-240 ± 10% VAC power supply, and mounted in a 1 3/4" X 19" X 14" rack mount chassis.



Front and Rear Panels

EQUIPMENT SPECIFICATIONS*

Input Characteristics (RF)

Impedance/Return Loss 50Ω/14 dB
 Frequency 2.0 to 2.8 GHz
 Noise Figure, Max. 30 dB max gain, at Fc
 Input Level range -25 to -5 dBm, at Fc
 Input 1 dB compression +5 dBm, at Fc

Output Characteristics (L-Band)

Impedance/Return Loss 50Ω /14 dB
 Frequency 1.2 ± 0.400 GHz
 Output Level Range -25 to -5 dBm, at Fc
 Output 1 dB compression +5 dBm, at Fc

Channel Characteristics

Gain +0 dB ± 2 dB, at Fc
 Image Rejection > 60 dB, min
 Spurious, In Band <-45 dBc in band, -5 dBm out;
 Spurious, Out of Band <-50 dBm, 0.4 - 0.8 and 1.6 - 2.5 GHz
 Intermodulation <-50 dBc for two carriers at Fc ± 2 MHz, each -15 dBm out
 Frequency Response ± 2.0 dB, 1.2 ± 0.40 GHz out; ± 0.5 dB, 40 MHz BW
 Frequency Sense **Non-Inverting**

LO Characteristics

LO Frequency **6.20 GHz and 5.00 GHz**
 Frequency Accuracy ± 0.01 ppm max over temp internal reference; ext. ref. input
 10 MHz In/Out Level 3 dBm, ± 3 dB

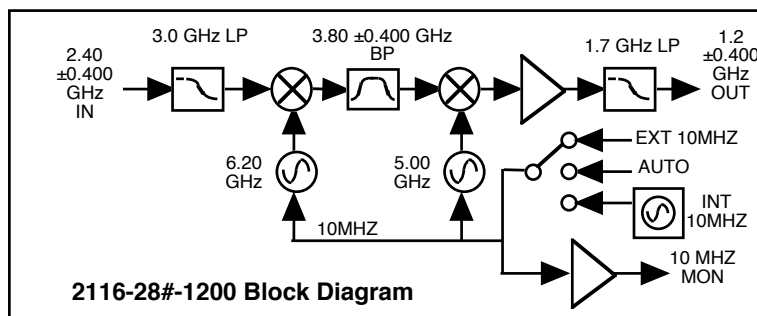
Phase Noise @ F (Hz) >	100	1K	10K	100K	1M
dBc/Hz	-60	-70	-80	-90	-100

Controls, Indicators

Ext 10 MHz Yellow LED, indicates external 10 MHz reference selected (rear panel DPDT switch)
 Power Green LED
 PLL Alarm Red LED, External contact closure

Other

RF / L-Band Connectors N-type (female), 50Ω / BNC (female), 50Ω
 10 MHz Connectors BNC (female), 50Ω/75Ω
 Alarm Connector DB9 - NO or NC contact closure on Alarm
 Size 19 inch standard chassis 1.75" high X 14.0" deep
 Power 100-240 ± 10% VAC, 47 - 63 Hz, 45 watts max.



2116-28#-1200 Block Diagram

Available Options

W31 - 0 C to 50C Operation

Connectors/Impedance

Std. - 50Ω N-type (RF), 50Ω BNC (L-Band)
 N - 50Ω N-type (RF), 75Ω BNC (L-BAND)
 S - 50Ω SMA (RF), 50Ω BNC (L-BAND)
 S7 - 50Ω SMA (RF), 75Ω BNC (L-BAND)
 SS - 50Ω SMA (RF), 50Ω SMA (L-BAND)

*10°C to 40°C; Specifications subject to change without notice