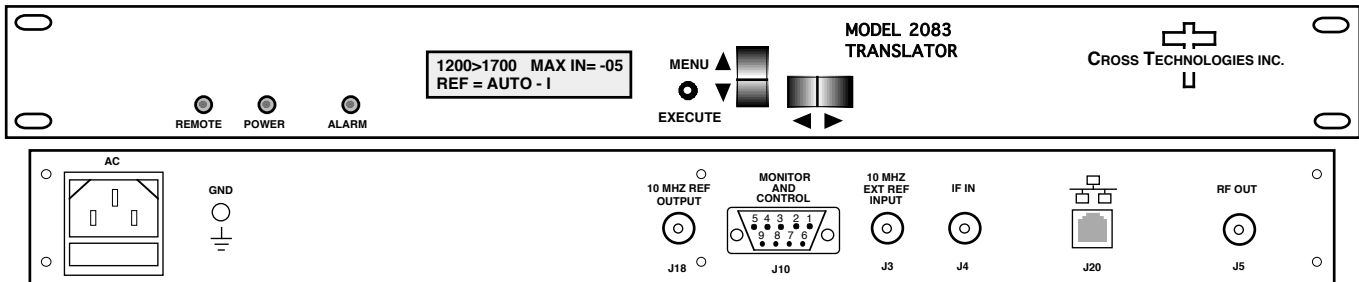


2083-0914 Block Translator, 950-1450 to 1450-1950 MHz

2083-0914 Block Translator - The 2083-0914 Block Translator converts a 950-1450 MHz block to 1450-1950 MHz block with no spectrum inversion, low group delay and flat frequency response. The 950-1450 MHz input is mixed with synthesized local oscillator (LO) signals, first to 3800 MHz center frequency and finally to the **1450-1950 MHz** block output. **The maximum input level (MAX IN) can be set for -5 to -25 dBm in 1±1 dB increments.** Multifunction switches select the **MAX IN** and internal or External (**Option E**) 10 MHz reference which appear on the LCD display and can be adjusted remotely. Front panel LEDs provide indication of DC power (green), PLL alarm (red), and remote operation (yellow). Connectors are **BNC female** for RF input and output. The unit is powered by a 100-240 ±10% VAC, 47-63 HZ input power supply and housed in a 1 3/4" X 19" X 16" rack mount chassis.



2083-0914 Front and Rear Panels (Shown with optional Ethernet and option E)

EQUIPMENT SPECIFICATIONS*

Input Characteristics

Input Impedance/RL **50Ω /12 dB**
 Frequency **950 - 1450 MHz**
Max Input Level setting -5 to -25 dBm, in 1±1dB steps
Input Level Range 0 to -20 dB below MAX IN setting
Noise Figure, max. 15 dB at -5 dBm MAX IN setting

Output Characteristics

Impedance/RL **50Ω/12 dB**
 Frequency **1450 - 1950 MHz**
Output Composite Level -5 to -45 dBm (MAX IN -5 to -25)
Output 1 dB compression +5 dBm, at -5 dBm MAX IN setting

Channel Characteristics

Gain, fixed **0 ± 1.5 dB at Fc and MAX IN set to -5 dBm**
 Frequency Response **± 1.5 dB, 500 MHz bandwidth; ± 0.5 dB, any 40 MHz increment**
 Spurs-Inband (**NOTE 2**) **< -50 dBc in band, signal dependent and signal independent; -5 dBm out; See NOTE 1**
 Spurs-out of band(**NOTE 2**)**< -30 dBc, 0.5- 1.44 GHz and 1.96-2.5 GHz and 0.95-1.45 GHz feed through; -5 dBm out; See NOTE 1**
 Frequency Sense **Non-inverting**

Synthesizer Characteristics

Translation; Accuracy **1ppm; Option -H, ±0.01 ppm**
 Reference **10 MHz Internal; Option -E, Internal/ External selection; external level 3±3 dBm**
 Frequency Step **None, fixed frequency**

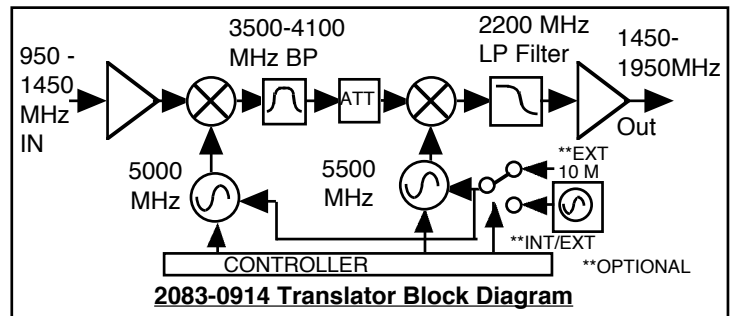
Phase Noise @ F (Hz) >	100	1K	10K	100K	1M
dBc/Hz	-70	-70	-80	-90	-100

Controls, Indicators

Fc Translation **Direct readout LCD; manual or remote selection**
MAX IN level **Direct readout LCD; manual or remote selection**
 Ext. ref. (Option -E) **Direct readout LCD; manual or remote selection**
 Power; Alarm; Remote **Green LED; Red LED; Yellow LED**
 Remote **RS232C, 9600 baud ; RS485, Ethernet Options**

Other

RF In/RF Out Connector **BNC (female)**
 10 MHz Connector **BNC (female), 75Ω, works with 50 or 75 ohms**
 Alarm/Remote Connector **DB9 (female) - NO or NC contact closure on Alarm**
 Size **19 inch standard chassis 1.75" High X 16.0" Deep**
 Power **100-240 (±10%) VAC, 47-63 Hz, 30 watts max.**



NOTE 1: dBc is relative to the COMPOSITE Output Level

NOTE 2: Spurs over MAX IN to MAX IN -20dB Range

Available Options

E - External 10 MHz Input & Output
H - High Stability (±0.01ppm) Internal Ref
Comm. Interface/Standard RS232
Q - RS485 Remote Interface
W8 - Ethernet; w/Web Browser (WB)
W18 - Ethernet; w/WB & SNMP
W28 - Ethernet; w/TCP/IP, Telnet
W828 - Ethernet, W18 + W28

Connectors/Impedance

Std. - 50Ω BNC (RF IN), 50Ω BNC (RF OUT)
NN - 50Ω N (RF IN), 50Ω N (RF OUT)
SS - 50Ω SMA (RF IN), 50Ω SMA (RF OUT)

Contact Cross for other options

*+10 to +40 degrees C; Specifications subject to change without notice